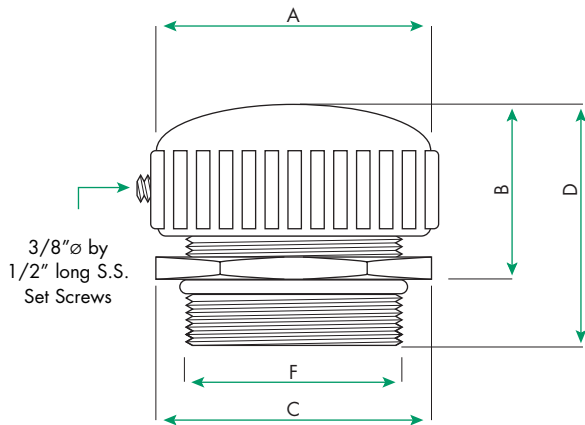


## Threaded P-Vents® & V-Vents®

Unlike the Bulkhead Style Pressure and Vacuum Vents, the Threaded P-Vents® and V-Vents® are installed by simply screwing the Vents into a 2" NPT opening. Constructed of High Density Polyethylene, the P-Vents® and V-Vents® provide vacuum venting and pressure relief, respectively. These Vents come with EPDM or Viton seals and 316 Stainless Steel or Hastelloy-C springs.



### SPECIFICATIONS

Pressure Relief Range: 10 to 14.7 PSI  
Initial Discharge: 10.1 PSI  
CFM: 6.1 ft<sup>3</sup>/m

Vacuum Vent Range: 1/4 to 1/2 PSI  
Initial Discharge: 1/2 PSI  
CFM: 0.65 ft<sup>3</sup>/m

DIM	A	B	C	D	F
INCHES	3.15	1.45	2.95	2.85	2.375*

\*Installation Hole Size is dimension "F"

PART #	ITEM DESCRIPTION
F703-PV-HS-E	2" HDPE/Black Threaded P-Vent® EPDM Seals & Hastelloy-C Spring
F703-PV-HS-V	2" HDPE/Black Threaded P-Vent® VITON Seals & Hastelloy-C Spring
F703-PV-SS-E	2" HDPE/Black Threaded P-Vent® EPDM Seals & 316 SS Spring
F703-PV-SS-V	2" HDPE/Black Threaded P-Vent® VITON Seals & SS Spring
F703-VV-HS-E	2" HDPE/Black Threaded V-Vent® EPDM Seals & 316 Hastelloy-C Spring
F703-VV-HS-V	2" HDPE/Black Threaded V-Vent® VITON Seals & Hastelloy-C Spring
F703-VV-SS-E	2" HDPE/Black Threaded V-Vent® EPDM Seals & 316 SS Spring
F703-VV-SS-V	2" HDPE/Black Threaded V-Vent® VITON Seals & 316 SS Spring