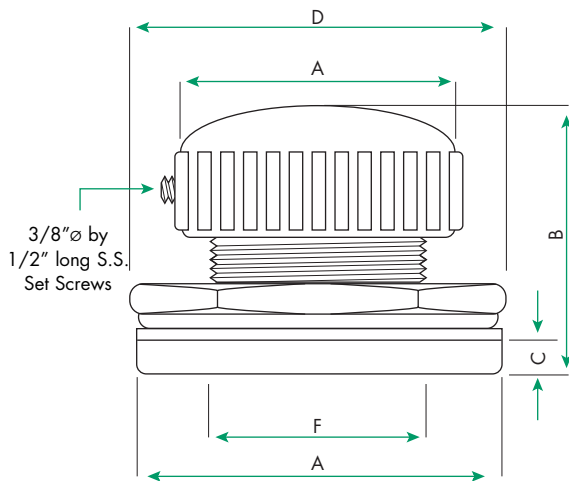


Combivents®

This combination vent design incorporates the dual purpose features of both vacuum venting and pressure relief in one unique and highly engineered assembly. Robustly constructed of high strength and corrosion resistant Black Glass-Filled Polypropylene, the Combivent® comes with EPDM or Viton seals and 316 Stainless Steel or Hastelloy-C springs. This unique vent is installed in exactly the same way a Bulkhead Fitting would be installed.



SPECIFICATIONS

Pressure Relief Range: 10 to 14.7 PSI
Initial Discharge: 12.5 PSI
CFM: 3.9 ft³/m

Pressure Relief Range: 3 to 5 PSI
Initial Discharge: 3 PSI
CFM: 10.3 ft³/m

Vacuum Vent Range: 1/4 to 1/2 PSI
Initial Discharge: 1/4 PSI
CFM: 2.4 ft³/m

DIM	A	B	C	D	E	F
INCHES	3.938	3.1	0.375	4.125	3.15	2.375*

*Installation Hole Size is dimension "F"

PART #	ITEM DESCRIPTION
KF15901CVEW	2" PPG/Black Combivent® EPDM Seals & 316 SS Springs
KF15901CVEWHS	2" PPG/Black Combivent® EPDM Seals & Hastelloy-C Springs
KF15901CVEW3-5	2" PPG/Black Combivent® EPDM Seals & 3-5 PSI 316 SS Springs
KF15901CVVW	2" PPG/Black Combivent® Viton Seals & 316 SS Springs
KF15901CVVW3-5	2" PPG/Black Combivent® Viton Seals & 3-5 PSI 316 SS Springs
KF15901CVVWHS	2" PPG/Black Combivent® Viton Seals & Hastelloy-C Springs