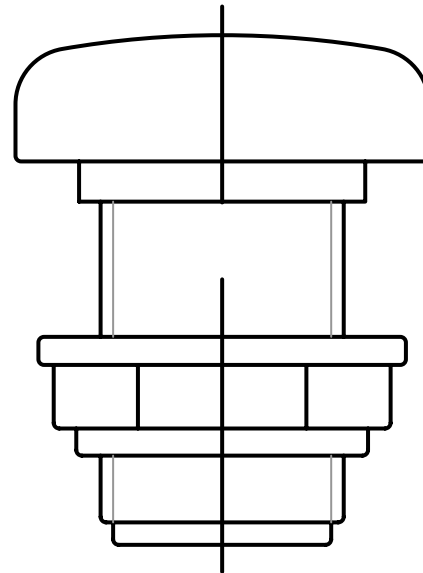
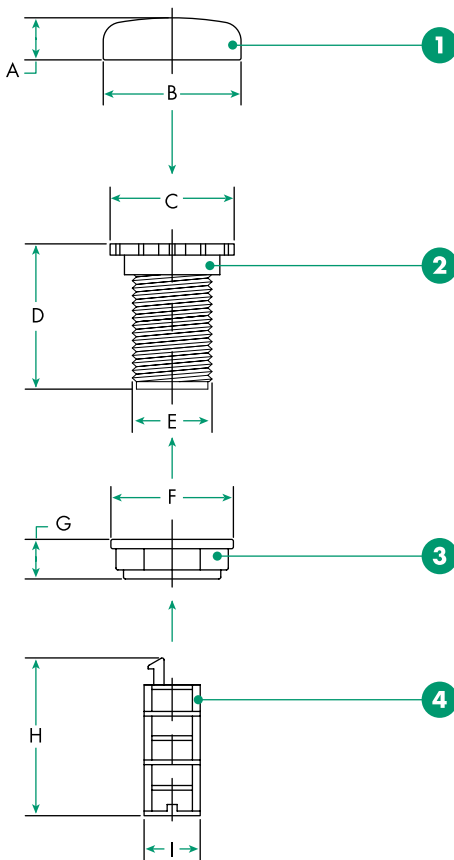


1" Mushroom Vent

Hytek's 1" Mushroom vent is made from a Copolymer Polypropylene which offers great strength and impact resistance for in the field durability. This vent is designed for easy installation and allows for free flowing ventilation on tanks or any containers where air make up may be critical when either filling or discharging a tank. A 1-5/16" (33mm) holesaw can be used under normal installation practices.



DIM	A	B	C	D	E	F	G	H	I
INCHES	0.68	2.21	1.99	2.33	1.28	1.97	0.64	2.53	0.90

PART #	ITEM DESCRIPTION	
F70501	1" PP/Black Mushroom Vent Assembly	
ITEM	PARTS DESCRIPTION	MATERIAL
1	1" Mushroom Vent Cap	PP/BLACK
2	1" Mushroom Vent Body	PP/BLACK
3	1" Mushroom Vent Nut	PP/BLACK
4	1" Mushroom Vent Baffle	PP/BLACK