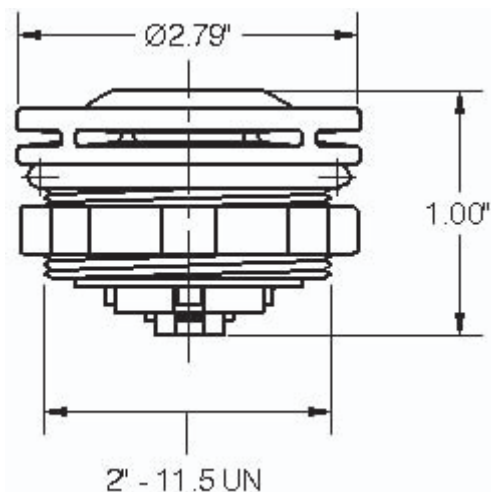


MAXIMUS

AIK's new Maximus combination Pressure relief and vacuum breaking vent is a well engineered vent which provides a cost effective venting solution for your tank and IBC (Intermediate Bulk Container).



FEATURES

- The Maximus vent is molded from a Engineered Co-Polymer Polypropylene resin which gives the vent excellent chemical and impact resistance. The vent is constructed and offered with EPDM or Viton gasketing materials and the springs in Stainless Steel 316 or Hastelloy C. Springs are available in various configurations to offer different pressure and vacuum relief options for custom venting requirements.
- The vents have been color coded for easy identification to determine what type of gasket and spring materials have been used in construction. The pressure relief and vacuum values are also embossed right into the vent body for easy verification.

TESTING

A test was performed where a 1300 IBC (286 gallon) was filled up with water and a 3" full ported valve was opened. The tank drained with ease in 135 seconds. The venting capacity calculated under these conditions was 20.4 cu ft/min (578 litres/min).

The tank showed no deformation nor did any collapsing occur.

