

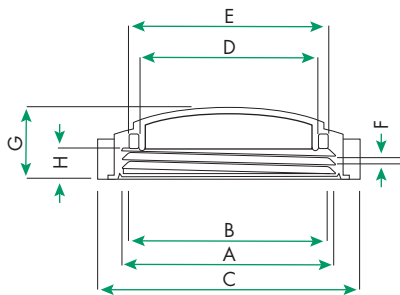
## Screw Caps

Constructed of Black High Density Polyethylene, AIK Screw Caps are available in 6", 7" and 12" sizes. When used with a gasket (see Screw Cap Accessories), these Screw Caps are designed for use in liquid-tight applications. The 6" and 7" caps are also available with a 2" NPT insert as a standard. Although not offered as a standard, there are various options available with the Screw Caps: private labeling; different materials; and different NPT insert size and quantity configurations. Ask our sales representatives about the options available.

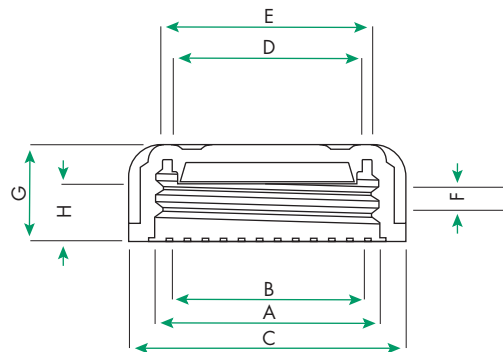


ITEM	A	B	C	D	E	F	G	H
6" Screw Cap	6.2"	5.85"	6.72"	5.2"	5.85"	0.385"	2.25"	1.3"
7" Screw Cap	7.5"	7.04"	8.6"	5.94"	7.04"	0.6"	2.5"	1.5"
12" Screw Cap	11.5"	11.02"	13.3"	9.5"	11.02"	0.71"	3.15"	2.15"

**6" Screw Cap**



**7" & 12" Screw Cap**



PART #	ITEM DESCRIPTION
F7054060	6" HDPE/Black Screw Cap
F7054060I-M	6" HDPE/Black Screw Cap with 2" NPT Insert
F7051060	7" HDPE/Black Screw Cap
F7051060I	7" HDPE/Black Screw Cap with 2" NPT Insert
F7051012	12" HDPE/Black Screw Cap