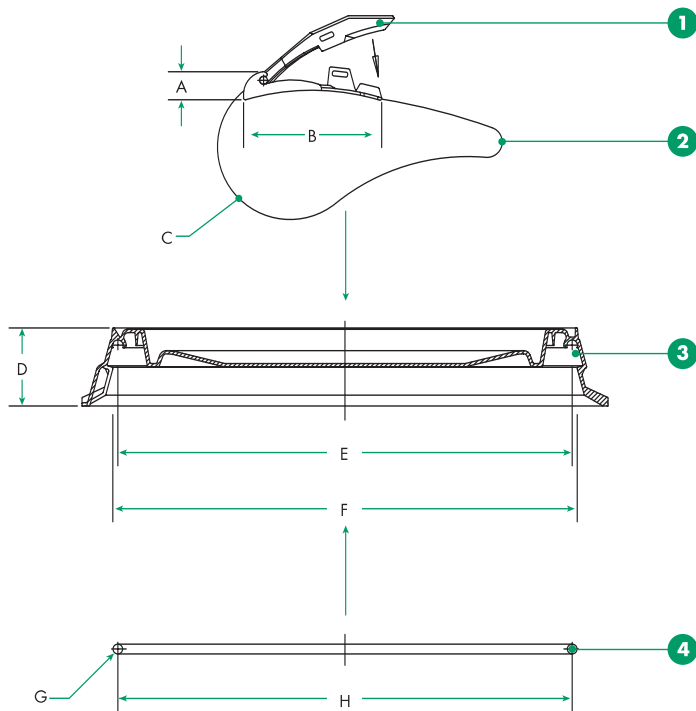


## 18" Quick-Lock Lid

AIK's 18" Quick-Lock Lid is made from a Linear Low Polyethylene, providing a rugged, impact resistant, secure cover for your plastic storage tanks. Can be used for both vertical and horizontal storage tanks. The lever lock handle assembly provides security for your cover and also allows quick and easy access.



DIM	A	B	C	D	E	F	F	F
INCHES	1.10	5.30	53.25	3.00	17.50	17.90	3/8	17.50

PART #	ITEM DESCRIPTION	
F705918	18" PP/Black Quick-Lock Lid Assembly	
PART #	REPLACEMENT PARTS	
F705918-H	Handle Assembly	
F705918-L	Lid	
F705918-O	O-Ring	
ITEM	PARTS DESCRIPTION	MATERIAL
1*	18" Quick-Lock Handle	PP/BLACK
2*	18" Quick-Lock Vinyl Strap	PP VINYL
3	18" Quick-Lock Lid	L.L.P.E.
4	18" Quick-Lock O-Ring	EPDM (SPONGE RUBBER)

\*Please Note item 1 & 2 are sold assembled