

PRICE LIST
 LISTE DE PRIX

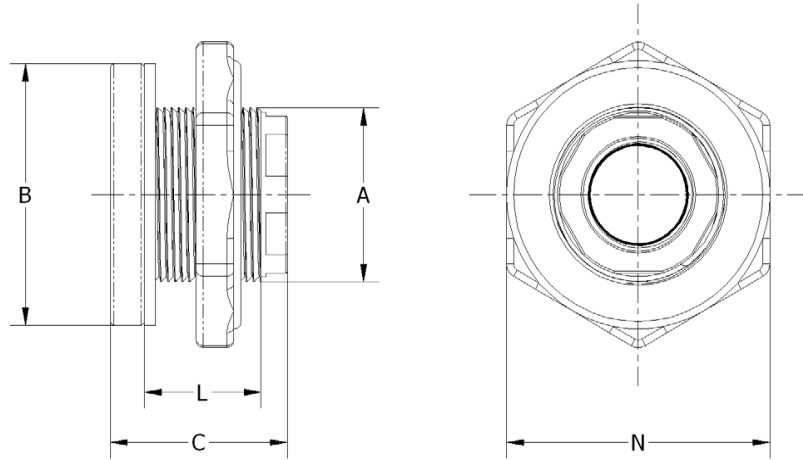


BULKHEAD FITTINGS
 (TANK ADAPTERS)



| SIZE | BLACK PBG | LIST | PVC | LIST | CPVC | LIST |
|--------|---------------|-----------|-------------|-----------|-------------|-----------|
| TAILLE | PBG NOIR | LISTE | PVC | LISTE | CPVC | LISTE |
| 1/2" | PBG7025807DTN | \$ 13.27 | P7025807DTN | \$ 20.48 | CP7025807DT | \$ 42.89 |
| 3/4" | PBG7025808DTN | \$ 14.81 | P7025808DTN | \$ 22.43 | CP7025808DT | \$ 59.48 |
| 1" | PBG7025809DTN | \$ 17.16 | P7025809DTN | \$ 25.34 | CP7025809DT | \$ 65.32 |
| 1-1/4" | PBG7025810DTN | \$ 19.11 | P7025810DTN | \$ 30.22 | CP7025810DT | POA |
| 1-1/2" | PBG7025811DTN | \$ 21.45 | P7025811DTN | \$ 33.15 | CP7025811DT | \$ 84.82 |
| 2" | PBG7025812DTN | \$ 29.26 | P7025812DTN | \$ 49.72 | CP7025812DT | \$ 124.80 |
| 3" | PBG7025814DT | \$ 82.88 | P7025814DT | \$ 90.69 | CP7025814DT | \$ 197.94 |
| 4" | PBG7025816DT | \$ 156.01 | P7025816DT | \$ 177.46 | CP7025816DT | \$ 577.23 |

NOTE: TECHNICAL INFORMATION ON REVERSE
 TANK ADAPTER COMES WITH 1 GASKET (EPDM Standard PVC - VITON Standard CPVC)
 REPLACEMENT GASKETS AVAILABLE UPON REQUEST - NET PRICING



| FIPT SIZE | A | B | C | N | L | INSTALLATION HOLE |
|-----------|-------|-------|-------|-------|------|-------------------|
| 1/2" | 1.39" | 2.18" | 2.25" | 2.18" | 1.33 | 1-7/16" |
| 3/4" | 1.39" | 2.18" | 2.25" | 2.18" | 1.33 | 1-7/16" |
| 1" | 2.27" | 3.26" | 3.05" | 3.06" | 2.13 | 2-5/16" |
| 1-1/4" | 2.27" | 3.26" | 3.05" | 3.06" | 2.13 | 2-5/16" |
| 1-1/2" | 3.01" | 4.58" | 3.14" | 4.61" | 2.02 | 3-1/16" |
| 2" | 3.01" | 4.58" | 3.14" | 4.61" | 2.02 | 3-1/16" |
| 3" | 4.47" | 6.00" | 3.62" | 5.99" | 2.23 | 4-1/2" |
| 4" | 5.64" | 8.86" | 6.00" | 8.87" | 3.73 | 5-11/16" |

- PBG-BLK - Polypropylene - Black Glass Filled - 20% Glass Reinforced Copolymner Polypropylene
- PVC - PVC Polyvinyl Chloride
- CPVC - CPVC Chlorinated Polyvinyl Chloride

DESIGN FEATURES:

Heavy Duty cross-sectional wall thickness to with stand high torque tightening avoiding thread stripping or damage.
 PVC is manufactured with Grade Resin as a Type I Grade Industrial Fitting.
 CPVC are designed to handle higher temperature and aggressive chemical applications.
 Double tapped NPT threads with left hand self-tightening nut.