

Robust construction premium valve for toughest services, easily adjustable for seat wear and easily servicable.

“The Super Block” True Union Ball Valve

FEATURES

- Unique double union/double block design for easier piping system or equipment maintenance
- Blocks in both directions - upstream or downstream
- All engineered thermoplastic - PVC, CPVC, PP or PVDF construction
- Double “D” stem design
- Two stem O-Rings for double leak protection
- Viton® or EPDM O-Rings, self-lubricating Teflon® seats
- Available with removable interference fit handle, electric or pneumatic actuation
- Full-port design, minimum flow restriction
- Sizes 1/2” through 4”
- Available threaded, socket or flanged configuration
- External adjustment for seat wear
- Vacuum resistance 29.9 inches mercury

Fluid Flow Coefficient

Valve Size (in)	Valve Size (mm)	Cv*
1/2	15	22
3/4	20	55
1	25	112
1-1/4	32	178
1-1/2	40	285
2	50	540
3	75	1348
4	100	2602
6	150	2602

*U.S. Gallons per minute @ 1 psi

Maximum Torque Valves (in-lbs)

Valve Size (in)	Valve Size (mm)	Opening Torque
1/2	15	5
3/4	20	35
1	25	60
1-1/4	32	100
1-1/2	40	110
2	50	180
3	75	600
4	100	1000
6	150	1000

Maximum Suggested Design Pressure (PSI) @ 73°F

Nom Size (in)	Nom Size (mm)	PVC CPVC	PP PVDF
1/2	15	235	150
3/4	20	235	150
1	25	235	150
1-1/4	32	200	150
1-1/2	40	200	150
2	50	200	150
3	75	150	-
4	100	150	-
6	150	150*	-

*6" Ball Valve is a venturi design for our 4" TUBV with 6x4 couplings

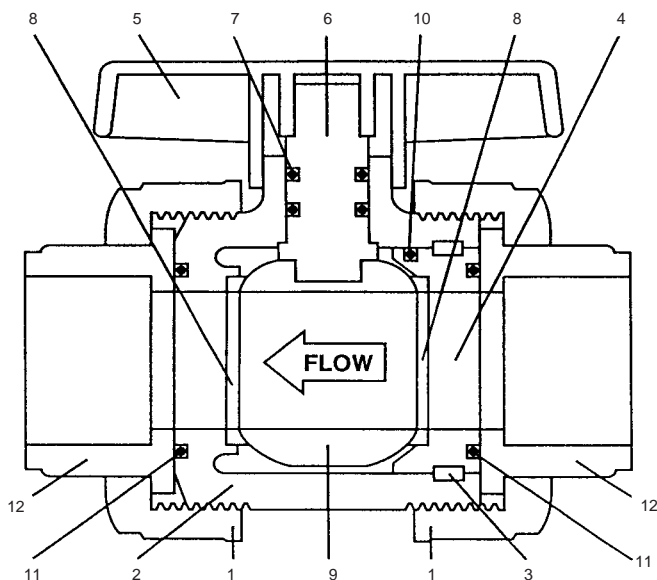
Super Bloc True Union Ball Valve - Part Numbers

Material	Size/No.	07	08	09	10	11	12	13	14	16
		Type/Size	1/2"/15mm	3/4"/20mm	1"/25mm	1-1/4"/32mm	1-1/2"/40mm	2"/50mm	2-1/2"/65mm	3"/75mm
PVC/EPDM	SOCKET	31913007	31913008	31913009	31913010	31913011	31913012	31913013	31913014	31913016
	THREADED	"	"	"	"	"	"	31914013	31914014	31914016
	FLANGED	31916007	31916008	31916009	31916010	31916011	31916012	31916013	31916014	31916016
PVC/Viton	SOCKET	31909007	31909008	31909009	31909010	31909011	31909012	31909013	31909014	31909016
	THREADED	"	"	"	"	"	"	31910013	31910014	31910016
	FLANGED	31912007	31912008	31912009	31912010	31912011	31912012	31912013	31912014	31912016
CPVC/EPDM	SOCKET	32913007	32913008	32913009	32913010	32913011	32913012	32913013	32913014	32913016
	THREADED	"	"	"	"	"	"	32914013	32914014	32914016
	FLANGED	32916007	32916008	32916009	32916010	32916011	32916012	32916013	32916014	32916016
CPVC/Viton	SOCKET	32909007	32909008	32909009	32909010	32909011	32909012	32909013	32909014	32909016
	THREADED	"	"	"	"	"	"	32910013	32910014	32910016
	FLANGED	32912007	32912008	32912009	32912010	32912011	32912012	32912013	32912014	32912016
PP/Viton	SOCKET	34909007	34909008	34909009	34909010	34909011	34909012	-	34909014	-
	THREADED	"	"	"	"	"	"	-	34910014	-
	FLANGED	P.O.A.	P.O.A.	P.O.A.	P.O.A.	P.O.A.	P.O.A.	P.O.A.	P.O.A.	P.O.A.
PVDF/Viton	SOCKET	37509007	37509008	37509009	37509010	37509011	37509012	N/A	37509014	37509016
	THREADED	37510007	37510008	37510009	37510010	37510011	37510012	N/A	37510014	37510016
	FLANGED	37512007	37512008	37512009	37512010	37512011	37512012	N/A	37512014	37512016

*3" valve bushed to 2-1/2"

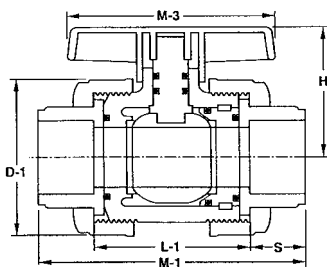
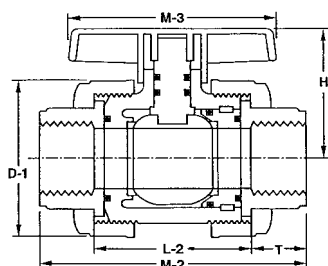
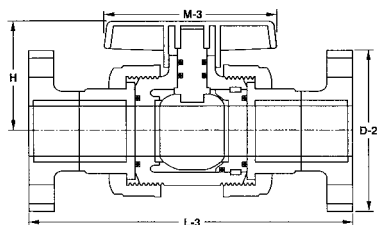
"The Super Block" True Union Ball Valve Specifications

Components and Materials



Part No.	Component	Qty	Material
1	Union Nut	2	PVC, CPVC, PP, PVDF
2	Body	1	PVC, CPVC, PP, PVDF
3	Locking Ring	1	PVDF
4	Carrier	1	PVC, CPVC, PP, PVDF
5	Handle	1	ABS
6	Stem	1	PVC, CPVC, PP, PVDF
7	Stem O-Ring	2	EPDM, Viton®
8	Ball Seat	2	Teflon®
9	Ball	1	PVC, CPVC, PP, PVDF
10	Carrier O-Ring	1	EPDM, Viton®
11	Face O-Ring	2	EPDM, Viton®
12	Connector	2	PVC, CPVC, PP, PVDF

Teflon® is a registered trademark of DuPont. Only DuPont makes Teflon®.
 Viton® is a registered trademark of Dupont Dow Elastomers.



Temperature Correction Factors

Operating Temp (F)	Factors			
	PVC	CPVC	PP	PVDF
70	1.00	1.00	1.00	1.00
80	0.90	0.96	0.97	0.95
90	0.75	0.92	0.91	0.87
100	0.62	0.85	0.85	0.80
110	0.50	0.77	0.80	0.75
115	0.45	0.74	0.77	0.71
120	0.40	0.70	0.75	0.68
125	0.35	0.66	0.71	0.66
130	0.30	0.62	0.68	0.62
140	0.22	0.55	0.65	0.58
150	N.R.	0.47	0.57	0.52
160	N.R.	0.40	0.50	0.49
170	N.R.	0.32	0.26	0.45
180	N.R.	0.25	*	0.42
200	N.R.	0.18	N.R.	0.36
210	N.R.	0.15	N.R.	0.33
240	N.R.	N.R.	N.R.	0.25
280	N.R.	N.R.	N.R.	0.18

*Recommended for intermittent drainage pressure not exceeding 20 psi.
 N.R. - Not Recommended

Dimensions

Valve Size		M1		M2		M3		D1		D2		H		S		T		End to End					
																		L1 Socket		L2 Threaded		L3 Flanged	
in	mm	in	mm	in	mm	in	mm	in	mm	in	mm	in	mm	in	mm	in	mm	in	mm	in	mm		
1/2"	15	4.06	103.12	3.69	93.73	3.20	81.28	2.00	50.80	3.49	88.65	1.92	48.77	0.90	22.86	0.71	18.03	2.26	57.40	2.27	57.66	6.17	158.72
3/4"	20	5.19	131.83	4.33	109.98	3.44	87.38	2.48	62.99	3.86	98.04	2.36	59.94	1.00	25.40	0.71	18.03	3.19	81.03	2.91	73.91	8.07	204.98
1"	25	5.37	136.40	4.90	124.46	3.99	101.35	2.84	72.14	4.23	107.44	2.72	69.09	1.14	28.96	0.87	22.10	3.09	78.49	3.16	80.26	7.89	200.41
1-1/4"	32	6.12	155.45	6.10	154.94	5.01	127.25	4.11	104.39	4.59	116.59	3.66	92.96	1.23	31.24	1.01	25.65	3.66	92.96	4.08	103.63	8.92	226.57
1-1/2"	40	6.53	165.86	5.77	146.56	5.01	127.25	4.13	104.90	5.01	127.25	3.61	91.69	1.39	35.31	1.01	25.65	3.76	95.50	3.75	95.25	9.67	245.62
2"	50	7.84	199.14	6.82	173.23	5.97	151.64	5.34	135.64	5.95	151.13	4.19	106.43	1.53	38.86	1.09	27.69	4.78	121.41	4.64	117.86	11.29	286.77
3"	75	10.35	262.89	10.35	262.89	7.66	194.56	7.17	182.12	7.50	190.50	5.34	135.64	1.90	48.26	1.89	48.01	6.54	166.12	6.57	166.88	14.35	364.49
4"	100	12.49	317.25	12.49	317.25	9.50	241.30	8.55	217.17	9.00	228.60	6.37	161.80	2.48	62.99	2.25	57.15	7.53	191.26	8.00	203.20	17.62	447.55