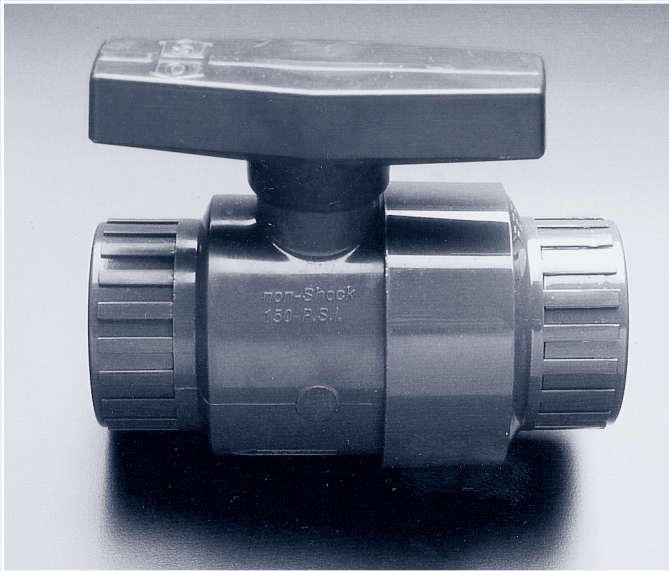


Super "C" Compact Valve



Low cost and ideally suited for most industrial, commercial, agricultural and irrigation environments where future dismantling is not required.

FEATURES

- All engineered Thermoplastic - PVC/EPDM or CPVC/Viton®
- Quarter turn on/off
- Full port design
- Teflon® ball seats, Viton® or EPDM O-Rings
- Two stem O-Rings for positive shut off with robust stem
- Floating carrier design provides the longest turning life, lowest torque and smooth turning
- 150 psi rated @ 73°F (non-shock)
- Permanently sealed from factory
- Ask about actuation

Maximum Torque Valves (in-lbs)

Valve Size (in)	Valve Size (mm)	Opening Torque
1/2	15	5
3/4	20	35
1	25	60
1-1/4	32	100
1-1/2	40	110
2	50	180

Temperature Correction Factors

Operating Temp (°F)	Factors	
	PVC	CPVC
70	1.00	1.00
80	0.90	0.96
90	0.75	0.92
100	0.62	0.85
110	0.50	0.77
115	0.45	0.74
120	0.40	0.70
125	0.35	0.66
130	0.30	0.62
140	0.22	0.55
150	N.R.	0.47
160	N.R.	0.40
170	N.R.	0.32
180	N.R.	0.25
200	N.R.	0.18
210	N.R.	0.15
240	N.R.	N.R.
280	N.R.	N.R.

N.R. - Not Recommended

Fluid Flow Coefficient

Valve Size (in)	Valve Size (mm)	Cv*
1/2	15	22
3/4	20	55
1	25	112
1-1/4	32	178
1-1/2	40	285
2	50	540

*U.S. Gallons per minute @ 1 psi

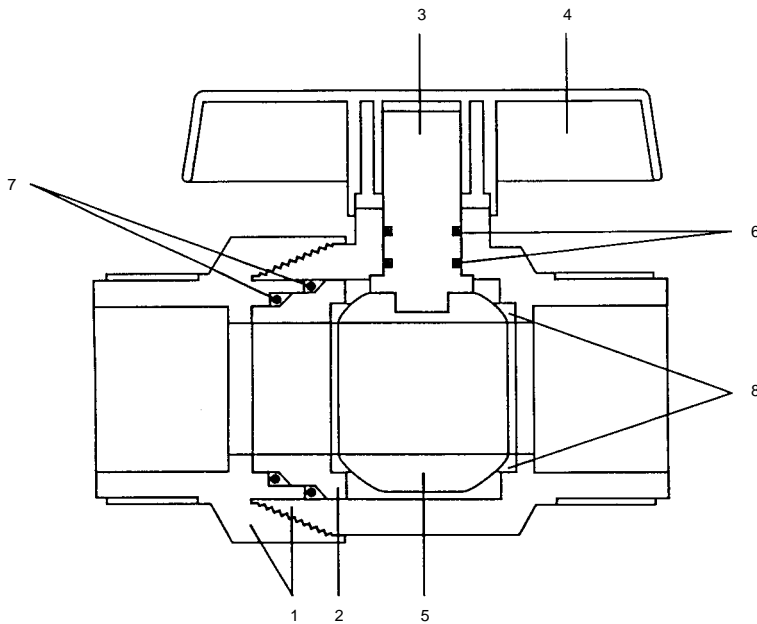
Maximum Suggested Design Pressure (PSI) @ 73°F

Nom Size (in)	Nom Size (mm)	PVC CPVC
1/2	15	150
3/4	20	150
1	25	150
1-1/4	32	150
1-1/2	40	150
2	50	150

Super "C" Compact Valve - Part Numbers

Material	Size/No.	07	08	09	10	11	12
	Type/Size	1/2"/15mm	3/4"/20mm	1"/25mm	1-1/4"/32mm	1-1/2"/40mm	2"/50mm
GRAY PVC/EPDM	Socket	3011005	3011007	3011010	3011012	3011015	3011020
	Threaded	3012005	3012007	3012010	3012012	3012015	3012020
WHITE PVC/EPDM	Socket	3011005W	3011007W	3011010W	3011012W	3011015W	3011020W
	Threaded	3012005W	3012007W	3012010W	3012012W	3012015W	3012020W

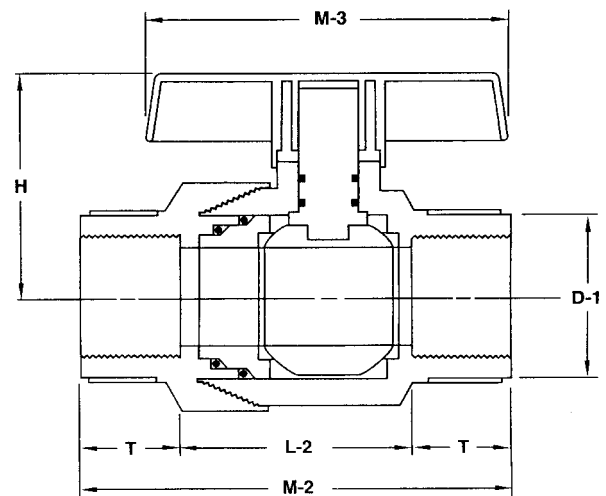
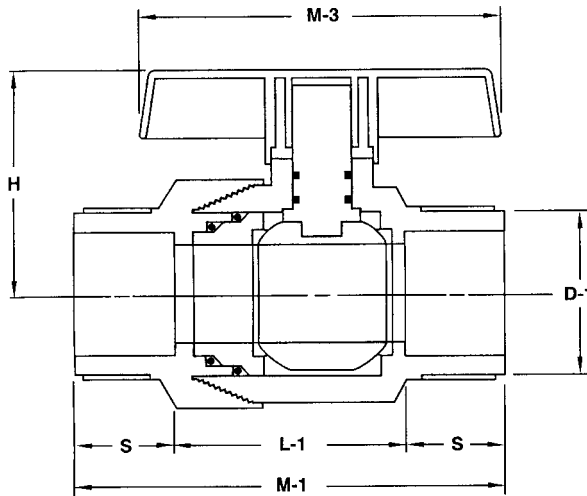
Super "C" Compact Valve Specifications



Components and Materials

Part No.	Component	Qty	Material
1	Body/End Piece	1	PVC
2	Floating Carrier	1	PVC
3	Stem	1	PVC
4	Handle	1	ABS
5	Ball	1	PVC
6	Stem O-Ring	2	EPDM & Viton®
7	Carrier O-Ring	2	EPDM & Viton®
8	Seats	2	Teflon®

Teflon® is a registered trademark of DuPont. Only DuPont makes Teflon®.
Viton® is a registered trademark of Dupont Dow Elastomers.



Dimensions

Valve Size	M1		M2		M3		D1		H		S		T		End to End				
	in	mm	in	mm	in	mm	in	mm	in	mm	in	mm	in	mm	L1 Socket		L2 Threaded		
1/2"	15	3.66	92.96	3.66	92.96	3.20	81.28	1.28	32.51	1.88	47.75	0.88	22.35	0.71	18.03	1.91	48.51	2.24	56.90
3/4"	20	4.25	107.95	4.25	107.95	3.45	87.63	1.50	38.10	2.33	59.18	1.00	25.40	0.73	18.54	2.24	56.90	2.80	71.12
1"	25	4.81	122.17	4.81	122.17	3.99	101.35	1.81	45.97	2.50	63.50	1.11	28.19	0.89	22.61	2.59	65.79	3.02	76.71
1-1/4"	32	6.12	155.45	6.12	155.45	5.00	127.00	2.50	63.50	3.55	90.17	1.25	31.75	1.01	25.65	3.62	91.95	4.05	102.87
1-1/2"	40	6.12	155.45	6.12	155.45	5.00	127.00	2.50	63.50	3.55	90.17	1.37	34.80	1.06	26.92	3.36	85.34	3.99	101.35
2"	50	6.61	167.89	6.61	167.89	5.00	127.00	3.00	76.20	3.90	99.06	1.50	38.10	1.12	28.45	3.61	91.69	4.36	110.74